

little hampton
changing unit

user guide

important!
retain for future reference –
read carefully

1

important notes

Lay the parts out and compare to the PARTS CHECKLIST below. Do not discard and packaging until you are sure that you have all the parts.

This furniture is provided with an anti-topple device for securing to a wall. Failure to use this could result in the furniture toppling onto a child.

A Mothercare changing mat is recommended for use with this changing unit with maximum dimensions of 82cm x 48cm. Place the mat evenly between the top rails.

2

parts checklist

14 cross head screws 7 x 45mm



61 dowels



26 cam screws



8, 4 x 25mm domed head screws



4 M6 x 14mm screws



2 M6 x 36mm screws



2 blanking screws



2 washers



33, 3 x 16mm cross head screws



26 cams



1, 4 x 16mm cross head screws



4 handles



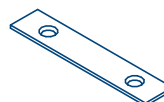
5 back panel plates



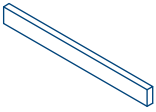
1 strap



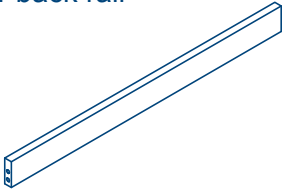
2 back plates



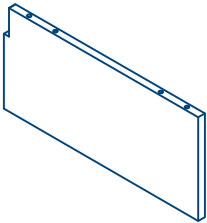
2 side rails



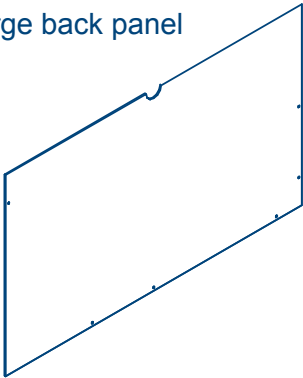
1 back rail



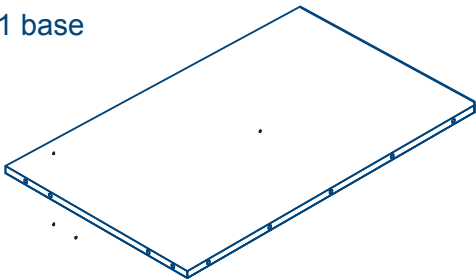
1 centre panel



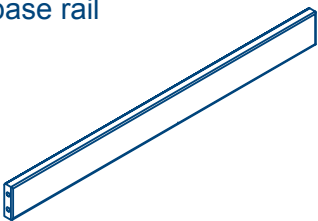
1 large back panel



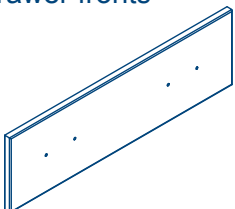
1 base



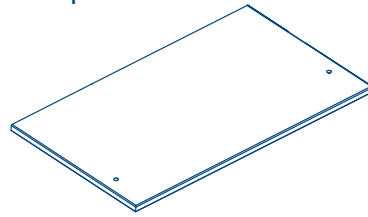
1 base rail



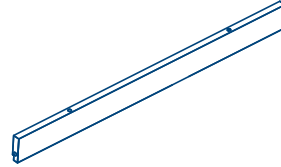
2 drawer fronts



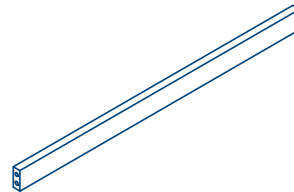
1 top



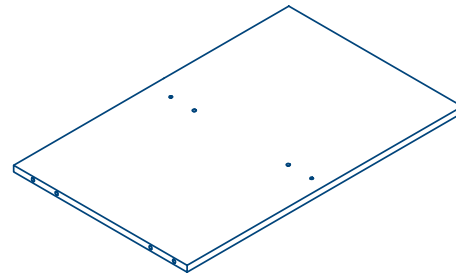
1 rear support rail



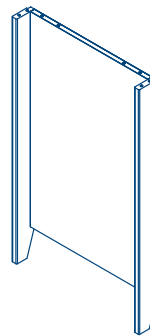
1 front rail



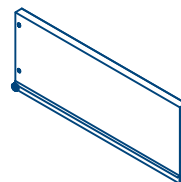
1 shelf



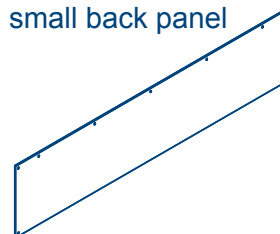
2 sides (left and right)



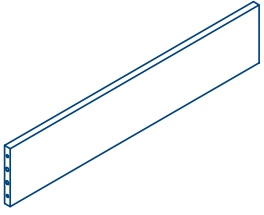
4 drawer sides



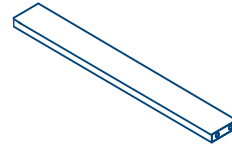
1 small back panel



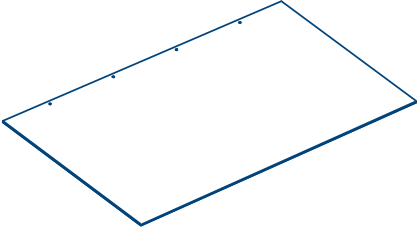
2 drawer backs



2 drawer supports



2 drawer bases



tools required:

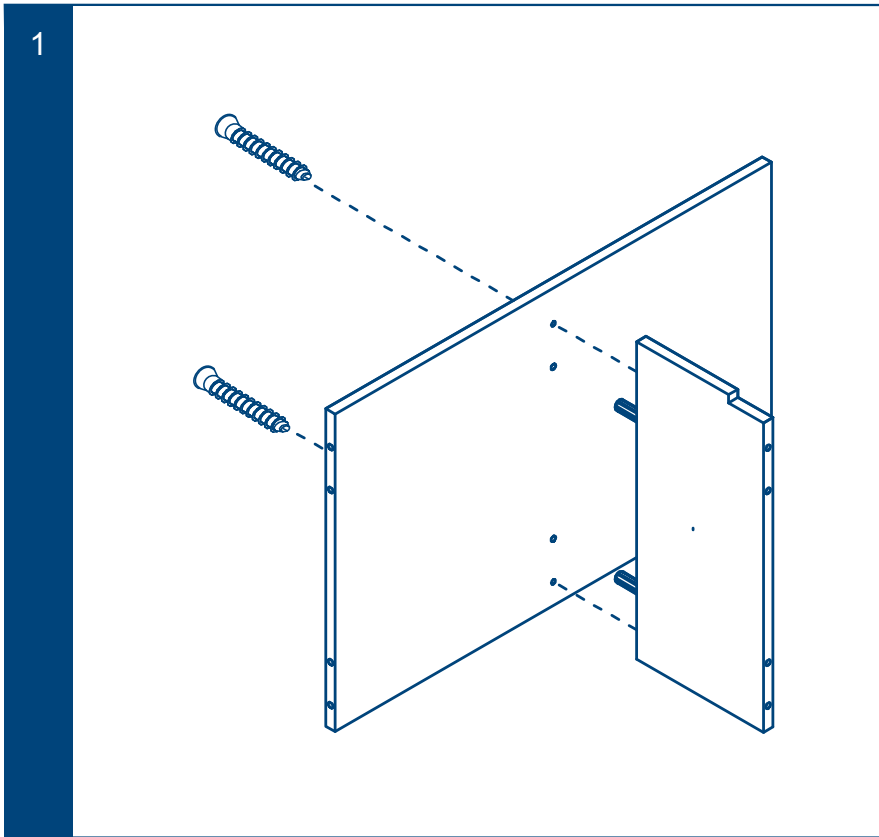
1 allen key (provided)



1 cross head screw driver



attaching the center panel to the shelf

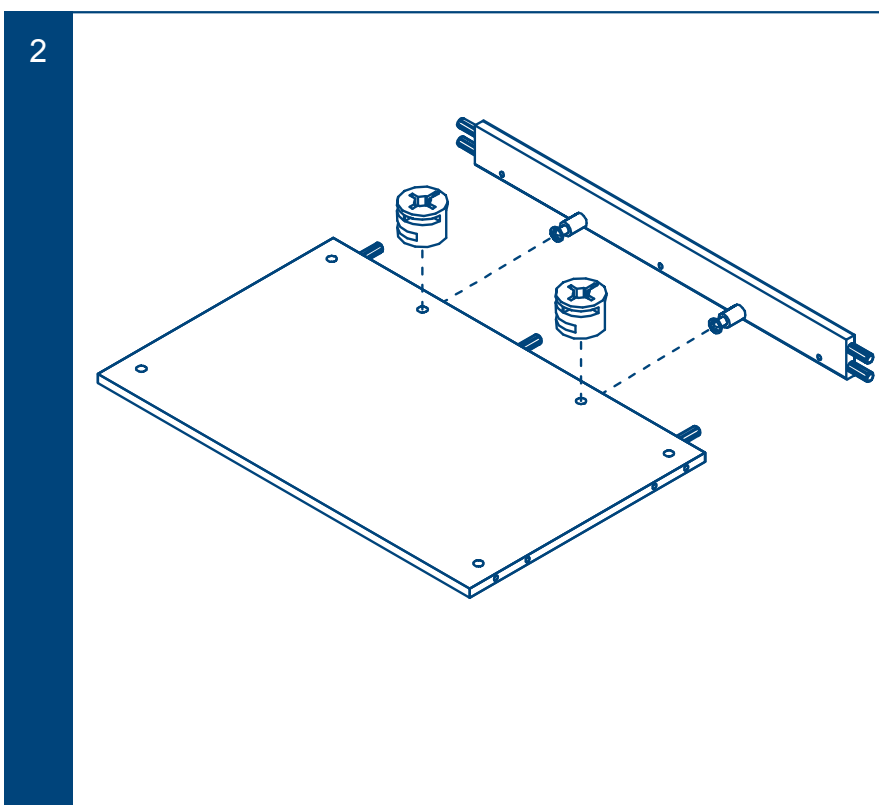


Insert 2 dowels in to the centre panel.

Align the dowles in the center panel with their corresponding pre-drilled holes on the shelf and push firmly in to position.

Insert 2, 7 x 45mm screws in to the shelf and tighten with the cross head screws driver.

attaching the base rail to the base



Insert 7 dowels into the base rail and base.

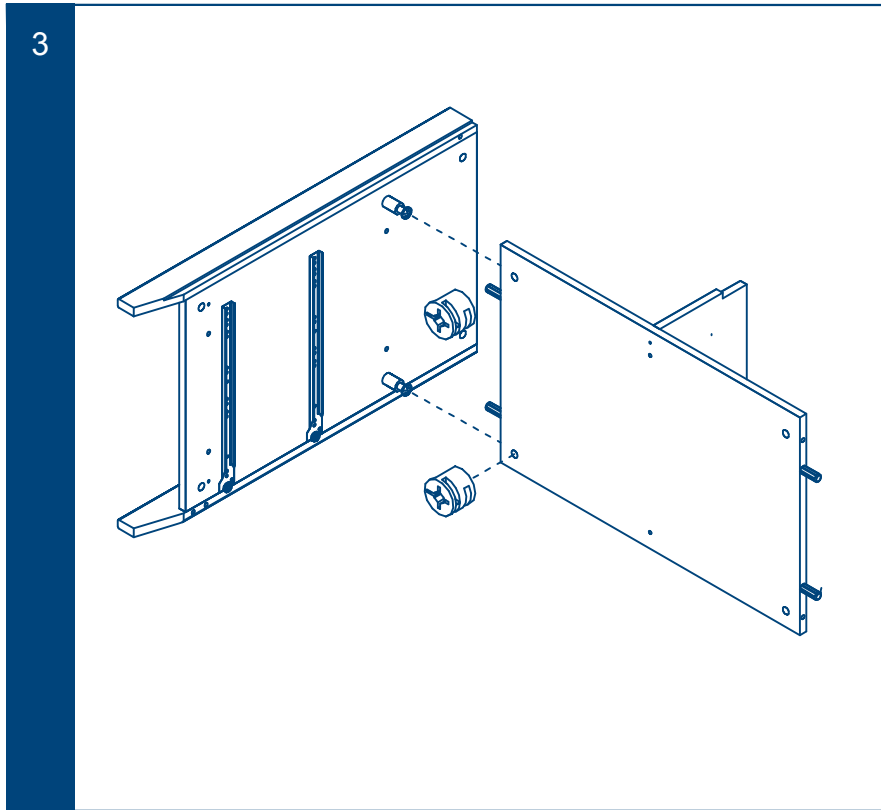
Insert 2 cam screws in to the base rail.

Insert 2 cams in to the base.

Attach the base rail to the base by locating the dowels and cam screws in to their corresponding pre-drilled holes and push firmly into position.

Lock the cams in to place using the cross head screw driver by turning these in a clockwise direction 180 degrees.

attaching the shelf to the side



Insert 4 dowels into the shelf.

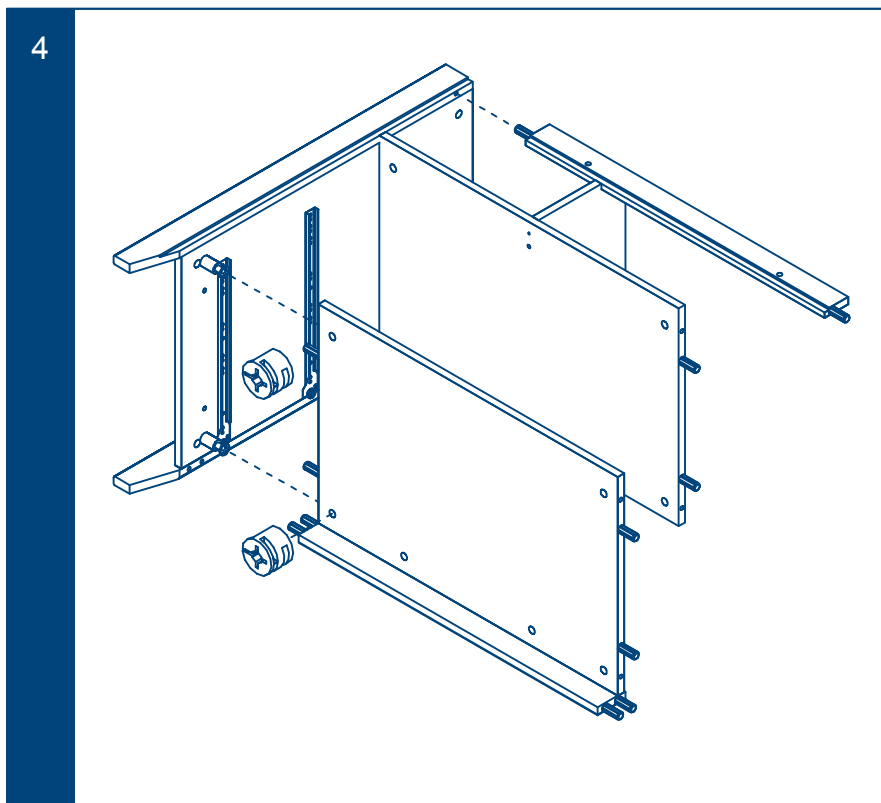
Insert 2 cam screws in to the side.

Insert 2 cams in to the shelf.

Attach the shelf to the side by locating the dowels and cam screws in to their corresponding pre-drilled holes and push firmly into position.

Lock the cams in to place using the cross head screw driver by turning these in a clockwise direction 180 degrees.

attaching the base and back support rail to the side



Insert 6 dowels into the base and back support rail.

Insert 2 cam screws in to the side.

Insert 2 cams in to the base.

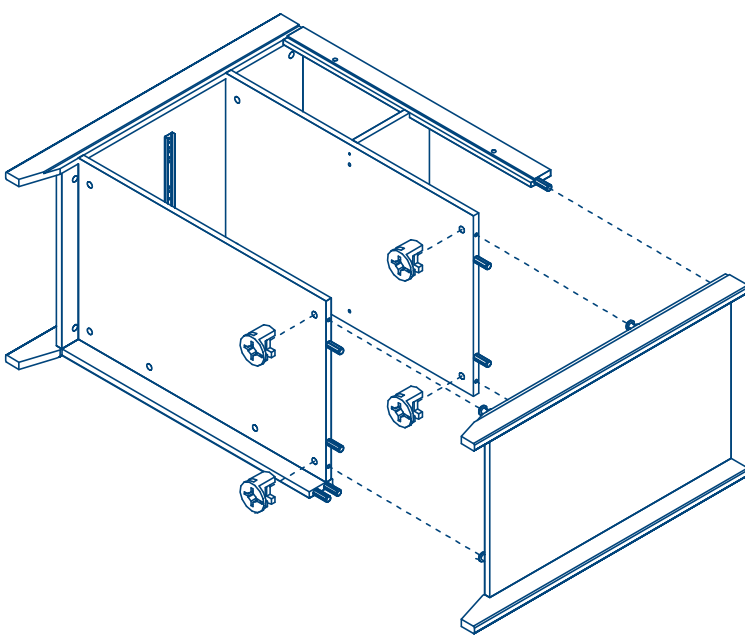
Attach the base to the side by locating the dowels and cam screws in to their corresponding pre-drilled holes and push firmly into position.

Lock the cams in to place using the cross head screw driver by turning these in a clockwise direction 180 degrees.

Attach the back support rail to the side by locating the dowel in to the corresponding pre-drilled hole and push firmly into position.

attaching the second side

5



Insert 4 cam screws in to the side.

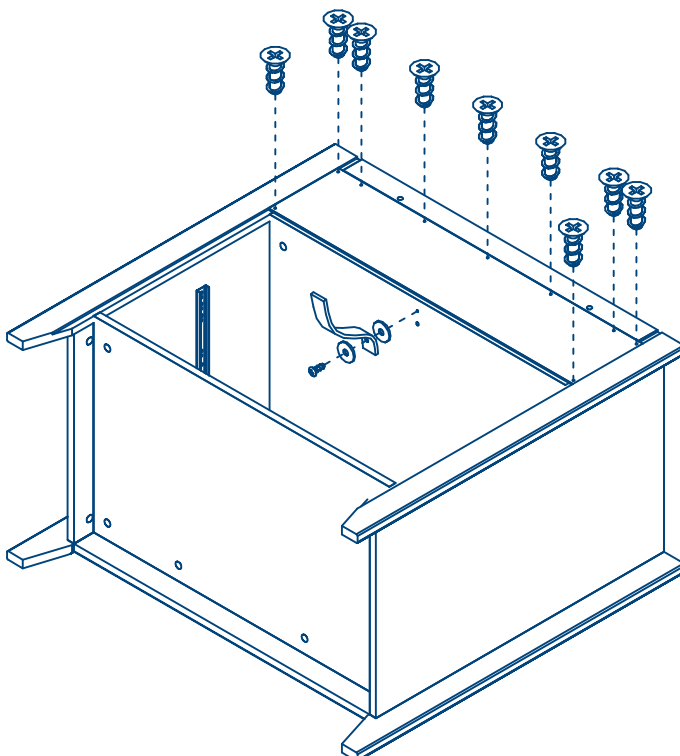
Insert 4 cams in to the base and shelf.

Attach the base, shelf and back support rail to the side by locating the dowels and cam screws in to their corresponding pre-drilled holes and push firmly into position.

Lock the cams in to place using the cross head screw driver by turning these in a clockwise direction 180 degrees.

attaching the small back panel and strap

6



THE LITTLE HAMPTON CHANGING UNIT IS SUPPLIED WITH AN ANTI-TOPPLE DEVICE THAT SECURES TO THE WALL. FAILURE TO USE THIS COULD RESULT IN THE FURNITURE TOPPLING OVER. WE RECOMMEND THAT YOU USE THIS SAFETY DEVICE.

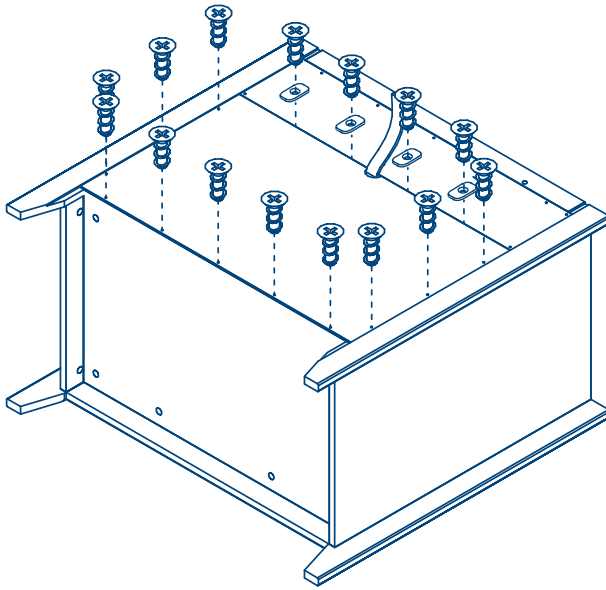
Attach the small back panel to the back of the changing unit using 9, 3 x 16mm screws. Tighten with the cross head screw driver.

Using 1, 4 x 16mm screw, 2 washers and 1 strap, fix to the rear of the changing unit as indicated in the diagram using a cross head screw driver.

The loose end of the strap requires fixing to the wall where the furniture will be positioned. Certain wall materials require different types of mounting hardware (e.g. plastic rawl plugs, plasterboard rawl plugs). Select mounting hardware suitable for the walls in your home. If you are unsure what type of mounting hardware required please consult your local DIY store for advice. Installation only to be carried out by a competent person.

attaching the large back panel

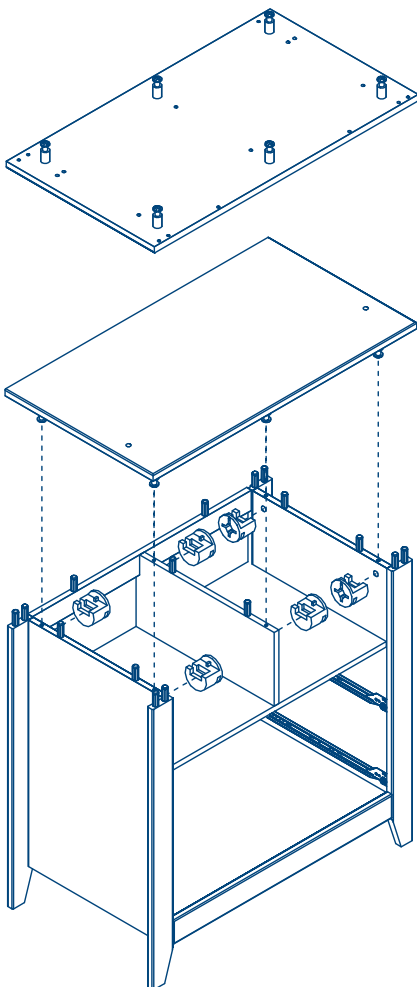
7



Attach the large back panel to the back of the changing unit using 16, 3 x 16mm cross head screws and the 5 back panel plates

attaching the top

8



Insert 16 dowels into the sides, center panel and back support rail.

Insert 6 cam screws in to the top.

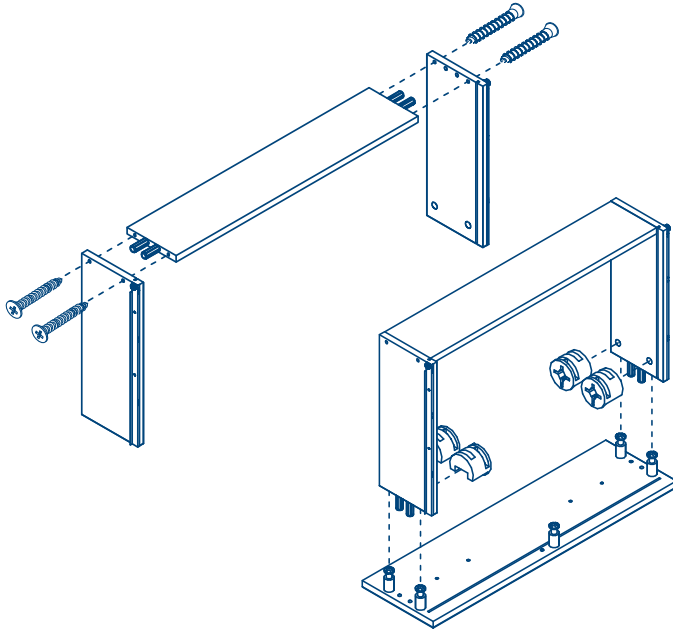
Insert 6 cams in to the sides and center panel.

Attach the top to the sides, center panel and back support rail by locating the dowels and cam screws in to their corresponding pre-drilled holes and pushing firmly into position.

Lock the cams in to place using the cross head screw driver by turning these in a clockwise direction 180 degrees.

assembling the drawer back, sides and front

9



Insert 5 cam screws in to each of the drawer front. Insert 4 dowels in to each of the drawers backs. Insert 2 dowels in to each of the drawer sides.

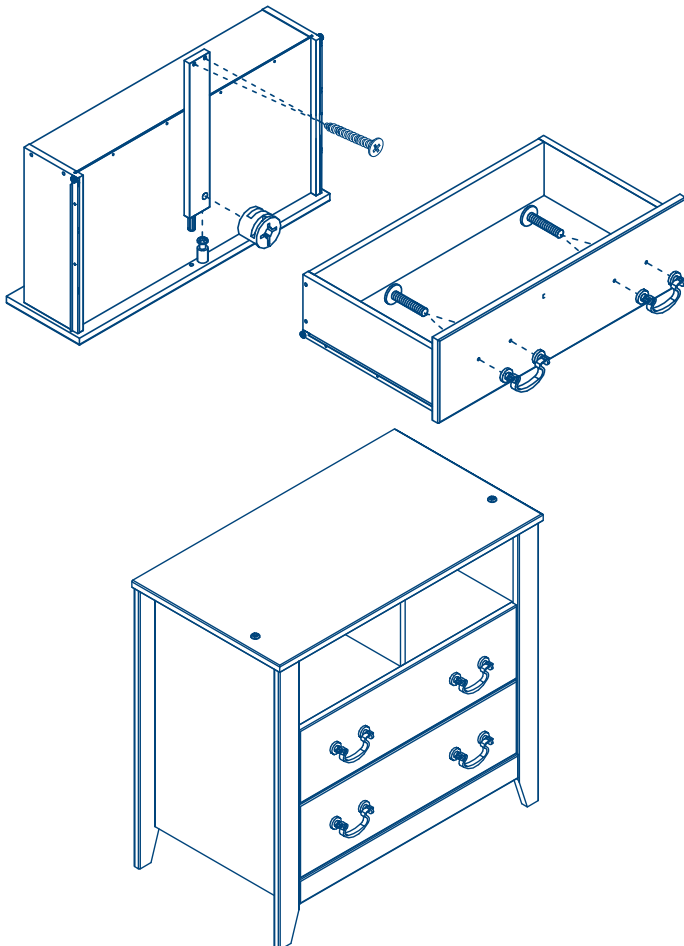
Attach the drawer back to the drawer sides by inserting the dowels in to their pre-drilled holes and pushing firmly together. Secure using 8, 7 x 45mm screws tightening with a cross head screw driver.

Attach the drawer front by aligning the dowels and cam screws to their corresponding pre-drilled holes and push firmly in place.

Insert 8 cams in to their pre-drilled holes and lock in place using the cross head screw driver by turning these in a clockwise direction 180 degrees.

Attaching the drawer support, base and handles

10



Slide each drawer base in the grooves on the drawer sides and push into the grooves on the drawer front. Secure using 4, 3 x 16mm screws for each drawer.

Insert 1 dowel and 1 cam in to each drawer support. Attach the drawer support by aligning the dowels and cam screws to their corresponding pre-drilled holes and firmly push in place

Lock the cams in place using the cross head screw driver by turning this in a clockwise direction 180 degrees.

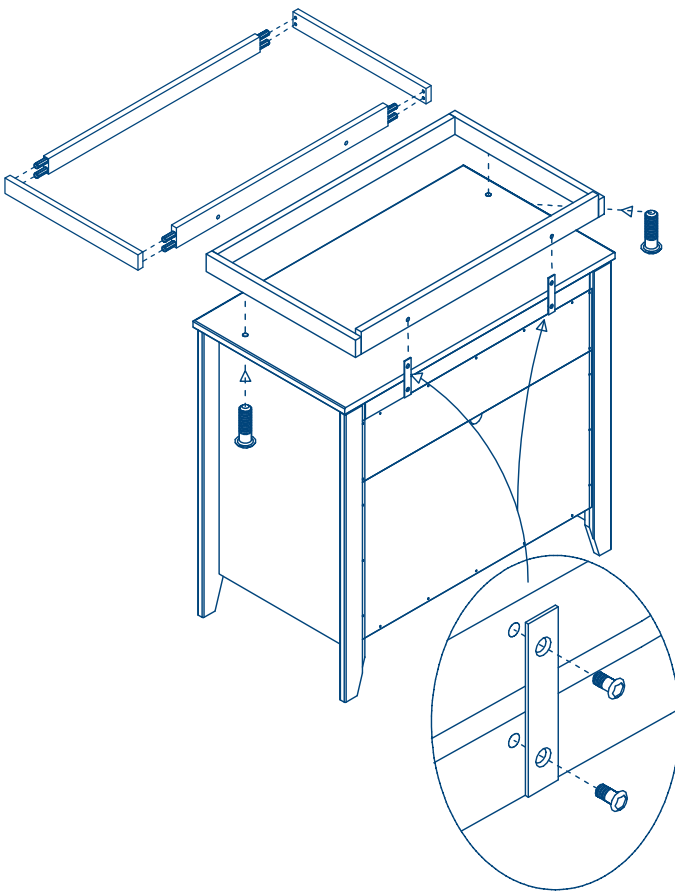
Attach the drawer support to the drawer back using 4, 7 x 45mm cross head screw tightening with the cross head screw driver.

Attach the handles to the drawers using 2 M4 x 25mm domed head screws for each drawer.

Locate the drawers in the base unit by carefully aligning the rear drawer runner wheels on to the front runner wheels of the base unit. Slide drawers in base.

attaching the changing unit top rails

11



Insert 8 dowels in to the front and back rail.

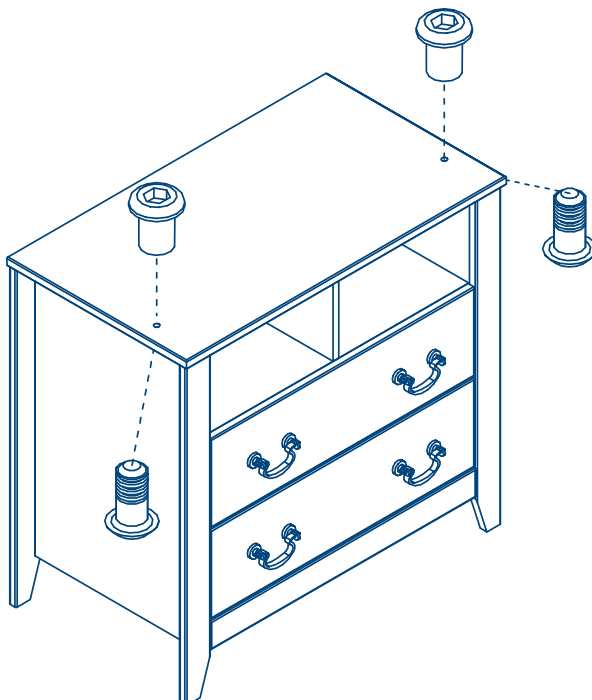
Attach the front and back rail to the side rails by pushing firmly into place.

Place the top rails on to the changing unit top and secure on the underside with 2 x m6 x 36mm screws using the Allen key provided.

Secure the back plates to the changing unit sides using 2 x M6 x 14mm screws using the Allen key provided.

changing to a dresser

12



It is possible to remove the side rails and front rail of the changing unit to make in to a dresser.

Remove the 2 underside M6 x 36mm screws using the Allen key provided.

Remove the M6 x 36mm screw from the rear sides and remove the top rails.

Insert 2 blanking screws in to the changing unit top and secure using 2 x M6 x 14mm screws using the Allen key provided.

Please carefully wrap the top rails in protective packaging and stow away in a safe place with all spare fittings in case these will be required for future use.

- This dresser is not to be used for children over 12 months old or 9kg, whichever comes first.
- **WARNING!** Do not leave the child unattended.
- All assembly fittings should be tightened properly. Screws and bolts should not be loose because a child can squeeze part of the body, or clothing (e.g. strings, necklaces, ribbons for babies dummies etc.) could get caught. There would be a danger of strangulation.
- Be aware of the risk of open fire and other sources of strong heat, such as electric bar fires, gas fires etc. in the near vicinity of the changing unit.
- An older child climbing on the changing unit while a child is on the changing surface is extremely dangerous and must be discouraged.
- The changing unit must be used on a level and stable surface.
- Keep away from trailing cords, drapes or flexes, and away from electric sockets.
- If any part is missing or broken, do not use the changing unit until the correct spare part has been obtained from Mothercare.
- Periodically check all fittings to ensure that none have come loose.
- Clean your changing unit using a damp cloth and drying with a soft cloth. Never clean with abrasives, chemical cleaners or household polishes.
- Take care when handling or moving the changing unit. Careless handling can damage wooden furniture. Never move the changing unit with the child on it.

If you have a problem with this product or require replacement parts, please contact your nearest Mothercare store or telephone the Mothercare customer care line on 08453 30 40 30.

Alternatively write to: Customer Care, Mothercare, Cherry Tree Road, Watford, Herts, WD24 6SH.

www.mothercare.com

