

## **BED-SIDE COT**



**IMPORTANT  
RETAIN FOR FUTURE REFERENCE  
READ CAREFULLY**

The illustrations in these instructions are to be used as a guide only  
Conforms to standard BS EN 716-1&2:2008 + A1:2013

Made in Latvia

## SAFETY INSTRUCTIONS

Your child's safety is your responsibility.

Remove all parts from packaging and check against the parts list.

Do not discard any packaging until you are sure you have all parts and the pack of fittings.

You will find it easier to assemble the cot if a second adult is available to help you.

**WARNING :** Be aware of the risk of open fires and other sources of strong heat, such as electric bar fires, gas fires etc in the near vicinity of the cot.

**WARNING :** Do not use if any part of the cot is broken, torn or missing and use only spare parts approved by the manufacturer.

**WARNING :** Do not leave anything in the cot or place close to another product, which could provide a foothold or present a danger of suffocation or strangulation e.g. strings, blind/curtain cords etc.

**WARNING :** Do not use more than one mattress in the cot.

One end of the cot has a mark indicating the maximum height of the mattress.

The thickness of the mattress must not reduce the internal depth from mattress surface to top of the cot side above it to less than 500 mm in the lowest position and 200 mm in the highest position of the mattress base.

The lowest mattress base positions is the safest and should always be used as soon as the baby is old enough to sit up.

**WARNING:** Always ensure the dropside is in the closed fixed position if you are leaving the child unattended in the cot or sleeping with the cot positioned next to your bed.

Mattress base length and width shall be such that the gap between the mattress and the sides and ends does not exceed 30mm.

The recommended mattress size for the cot is 120 x 60 cm and maximum thickness 10 cm.

Check regularly to ensure that all the components are secure and retighten as necessary.

To prevent injury from falls, when the child is able to climb out of the cot, the cot shall no longer be used for that child.

To clean use a damp cloth, avoiding the use of strong detergents or abrasives.

## CUSTOMER ENQUIRIES

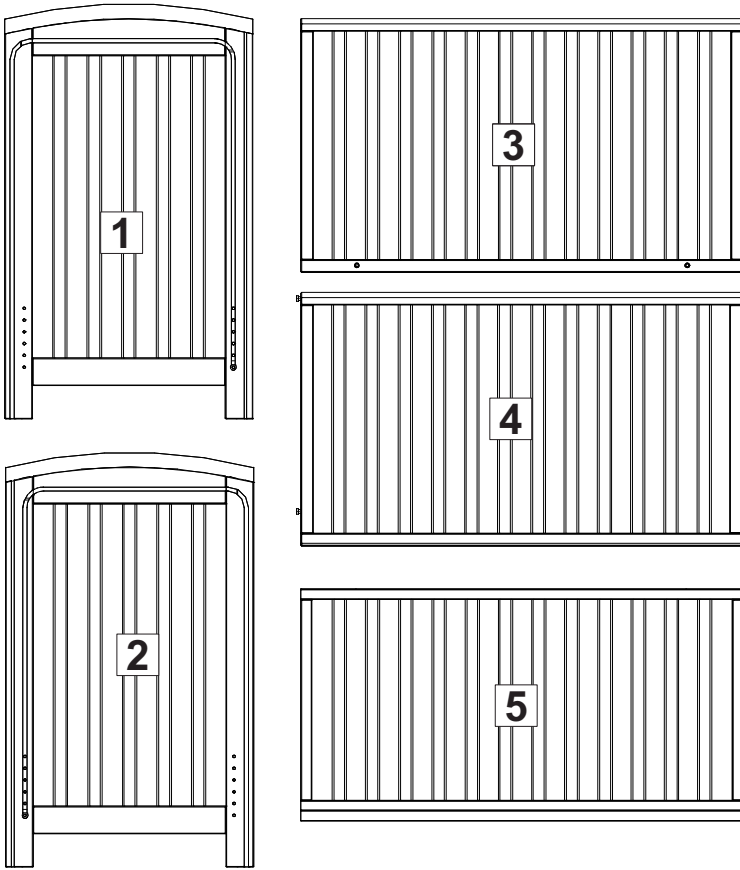
If you have a problem with this product or require replacement parts, please contact your nearest Mothercare store or telephone the Mothercare customer care line on 0844 875 5111

Alternatively write to:

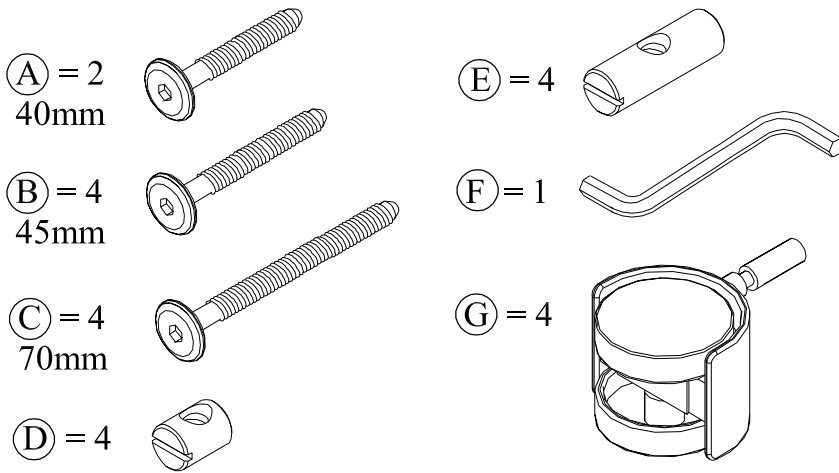
Customer Care  
Mothercare  
Cherry Tree Road  
Watford  
Herts. WD24 6SH

**TROLL**<sup>NURSERY</sup>

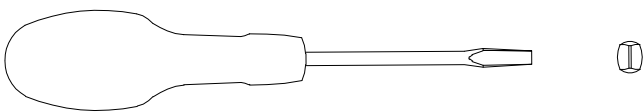
## PARTS LIST



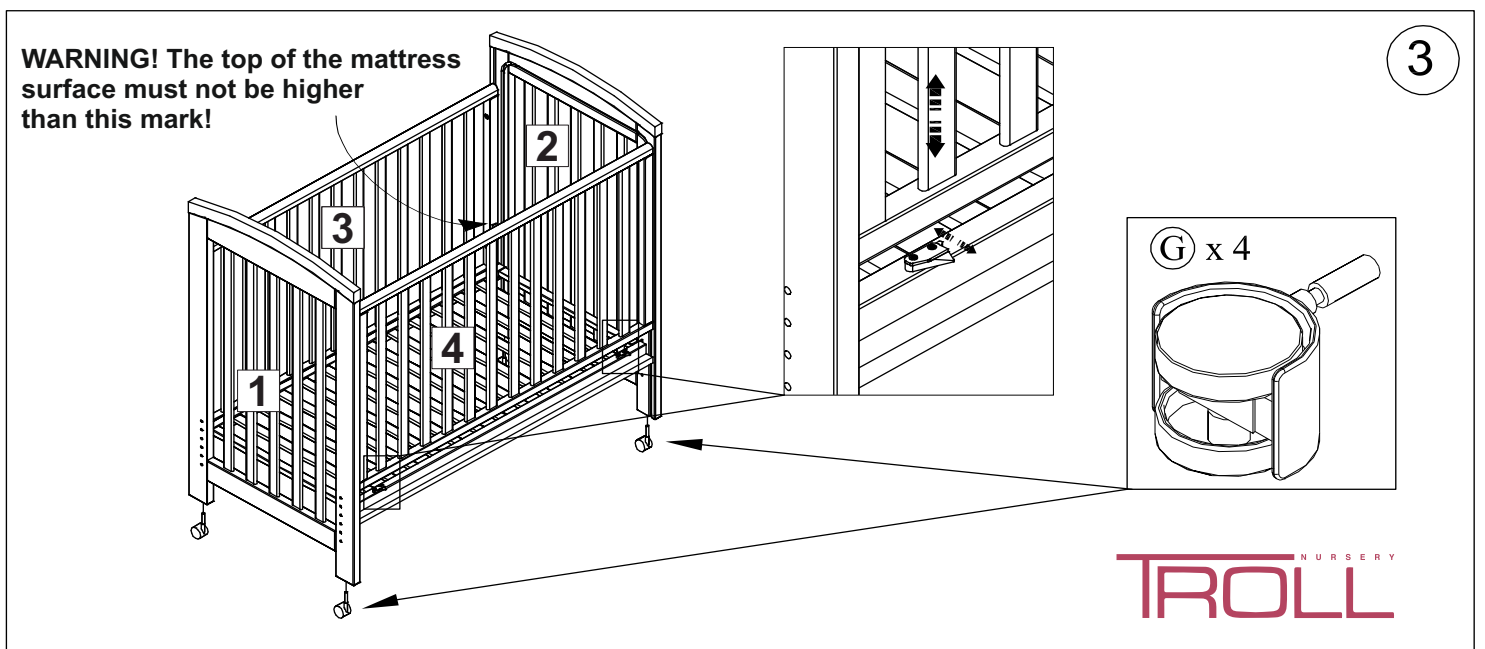
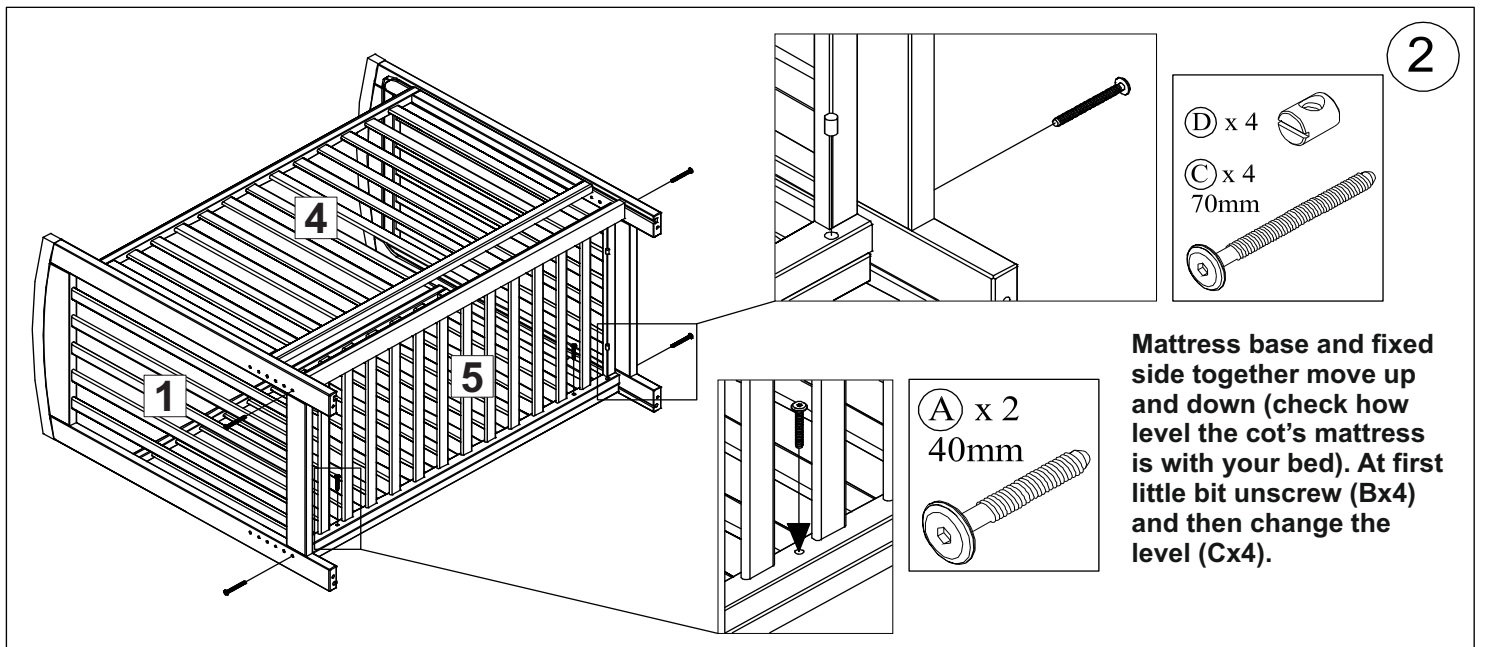
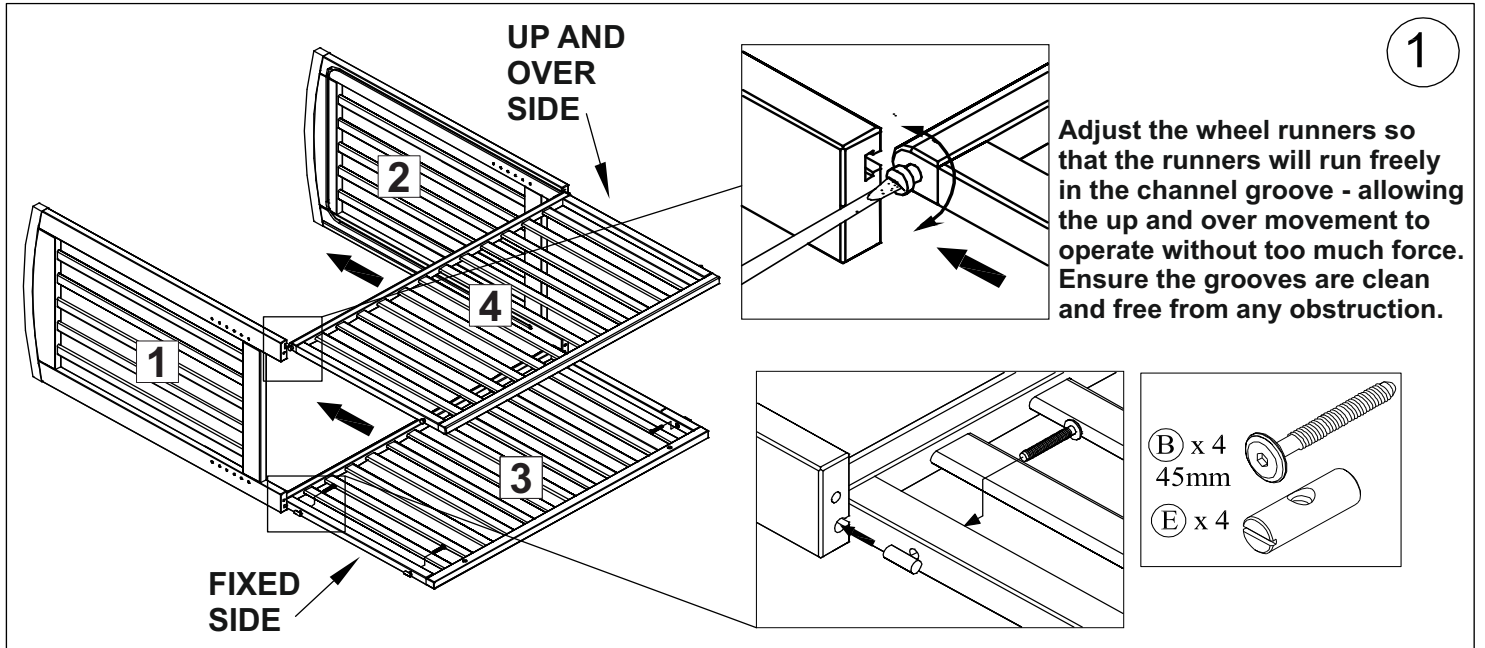
## FITTINGS LIST



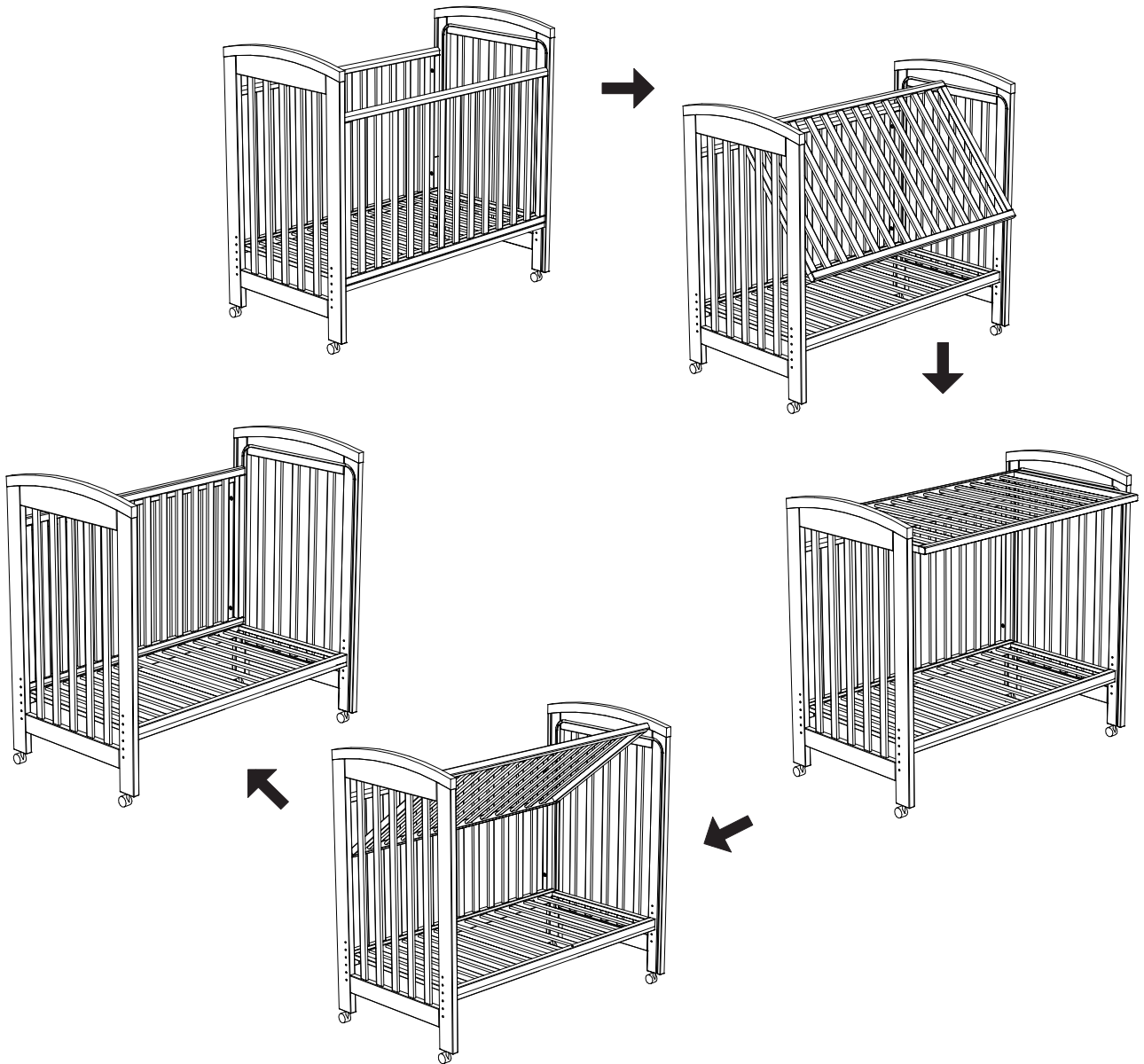
## TOOLS REQUIRED



# ASSEMBLING



## SPECIAL FEATURE OF BED-SIDE COT



## HOW TO ADJUST COTS MATTRESS HEIGHT TO PARENTS BED

